

Product data sheet

Characteristics

MJL26350

Circuit Breaker, PowerPact M, unit mount, electronic trip, 350A, 2 pole, 25 kA, 600 VAC, lugs both ends



Product availability: Non-Stock - Not normally stocked in distribution facility

Price*: 11743.50 USD



Main

Product or component type	Circuit breaker
---------------------------	-----------------

Complementary

Line Rated Current	350 A
Poles description	2P
Breaking capacity code	J
Magnetic tripping current	700...3500 A
Electrical connection	Lugs load Lugs line
Terminal identifier	AL800M23K
Tightening torque	442.54 Lbf.In (50 N.m) 0.15...0.37 in ² (95...240 mm ²) (AWG 3/0...500 kcmil)
Height	12.86 In (326.6 mm)
Width	0.32 In (8.06 mm)
Depth	8.27 In (210 mm)
Continuous current rating	80 %

Ordering and shipping details

Category	01205 - MG, MJ UNIT MOUNT BREAKER
Discount Schedule	DE2
GTIN	00785901879800
Nbr. of units in pkg.	1
Package weight(Lbs)	1 Lb(US) (0.45 kg)
Returnability	Yes
Country of origin	US

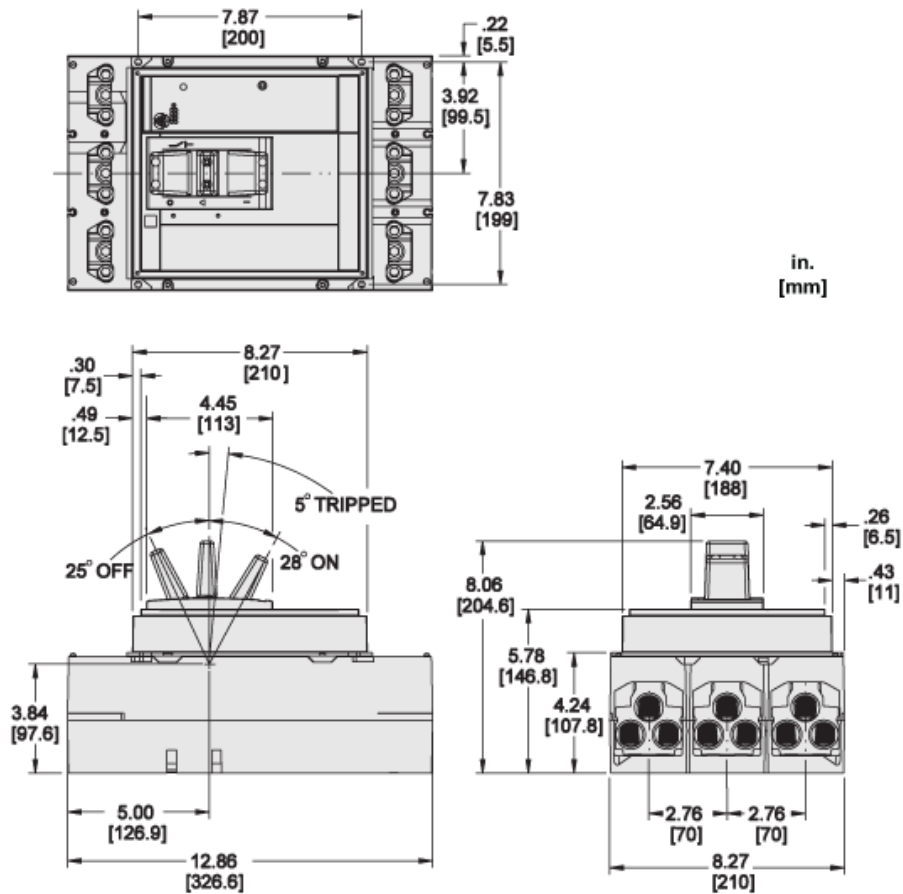
Offer Sustainability

Sustainable offer status	Green Premium product
California proposition 65	WARNING: This product can expose you to chemicals including: DIN-P, which is known to the State of California to cause cancer, and DID-P, which is known to the State of California to cause birth defects or other reproductive harm. For more information go to www.P65Warnings.ca.gov
REACH Regulation	REACH Declaration
EU RoHS Directive	Compliant EU RoHS Declaration
Mercury free	Yes
RoHS exemption information	Yes
China RoHS Regulation	China RoHS Declaration
Environmental Disclosure	Product Environmental Profile
Circularity Profile	End Of Life Information
PVC free	Yes

Contractual warranty

Warranty	18 months
----------	-----------

Approximate Dimensions



Product Life Status : **End of commerc. announced**

MJL26350 may be replaced by any of the following products:



MJL26800E10

Circuit breaker, PowerPact M, adj trip, unit mount, 300A-800A, 2 pole, 25 kA, 600 V, lugs

Qty 1

Substitution date: |